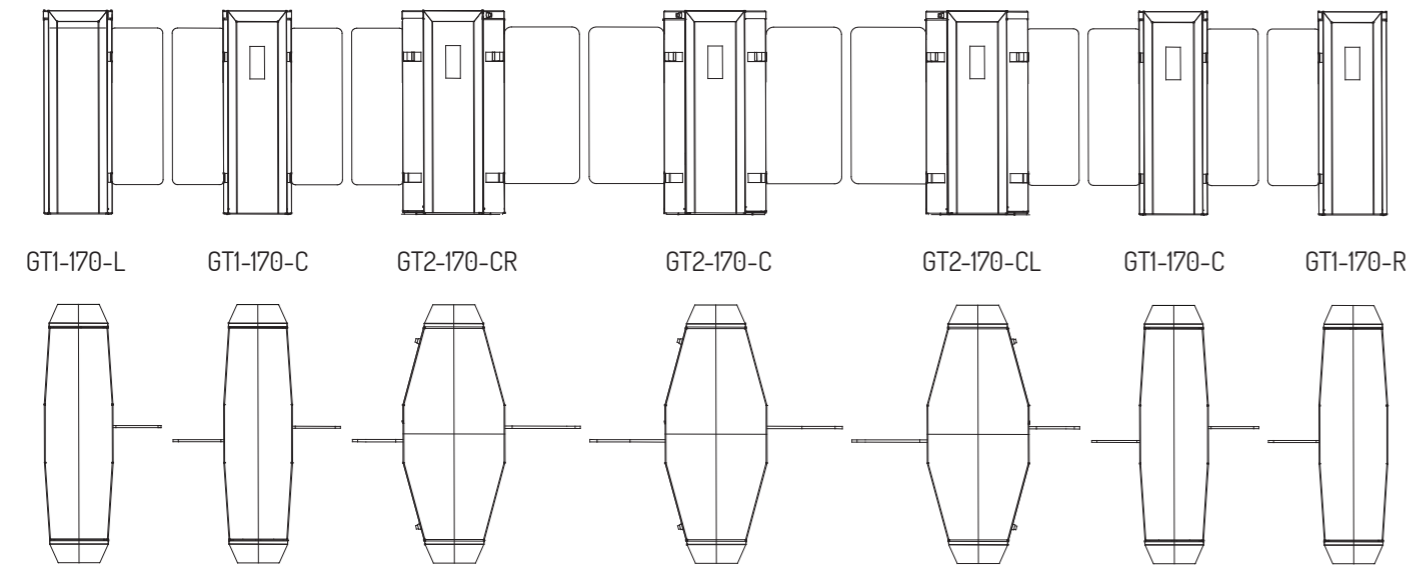


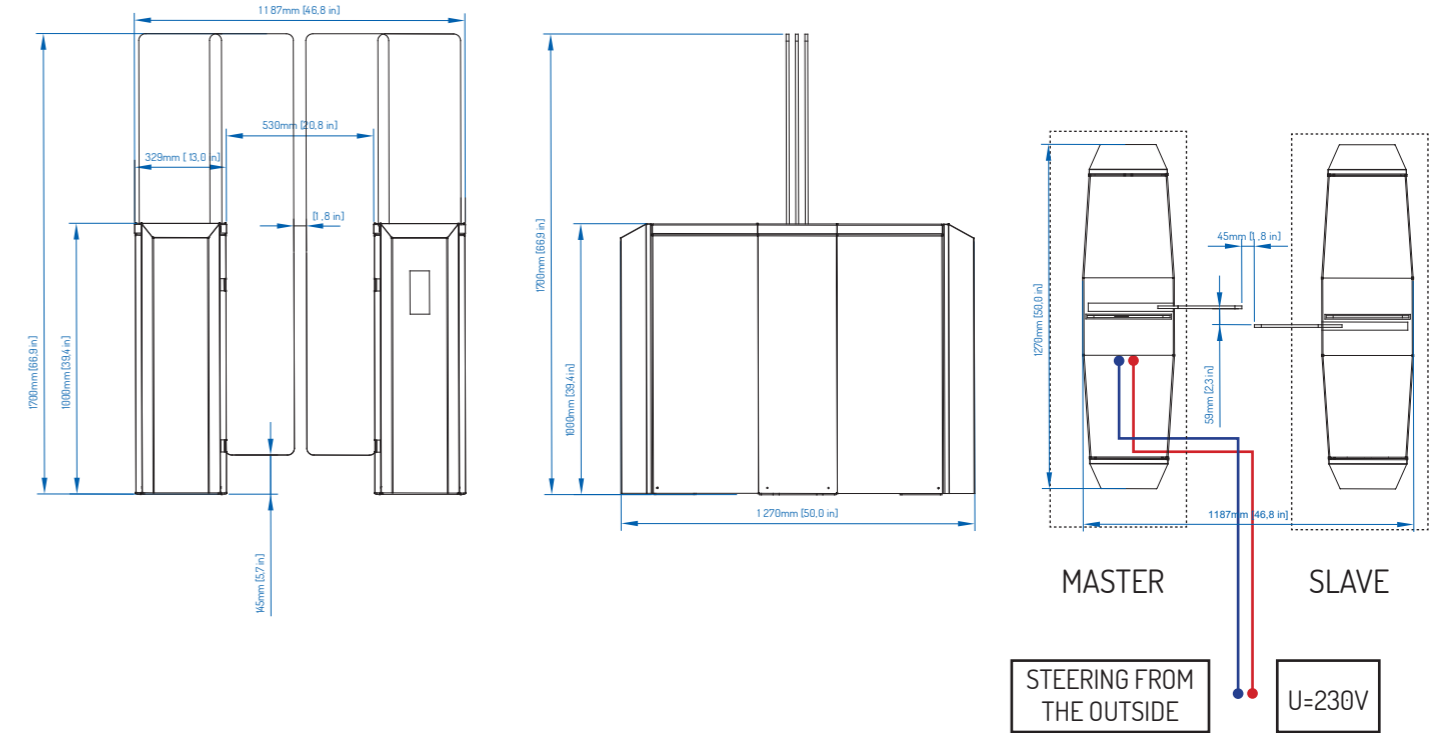
MODULES



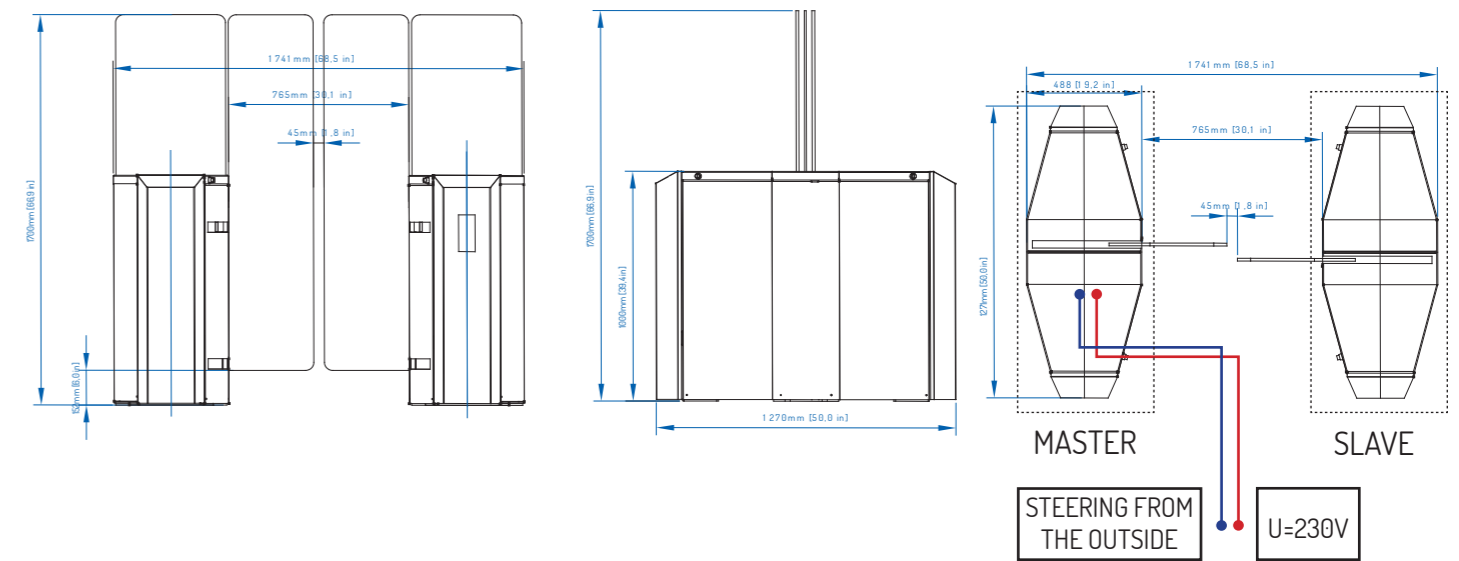
Model	Glass Height	Module	Width of the passage (530 mm/765 mm)
GT1-170-L-INOX*	170	L	530
GT1-170-R-INOX*	170	R	530
GT1-170-C-INOX*	170	C	530
GT2-170-L-INOX*	170	L	530
GT2-170-R-INOX*	170	R	530
GT2-170-C-INOX*	170	C	530
GT2-170-CR-INOX*	170	CR	530/765
GT2-170-CL-INOX*	170	CL	765/530

ATTENTION:
* standard type of housing finish - AISI 304 stainless steel (INOX); Non-standard type of housing finish - stainless steel, powder coated, RAL color

DIMENSIONS GT1-170



DIMENSIONS GT2-170



KEY:

- Steering from the outside - an S/UTP strand
- 230 V supply - 0MY wire 3x1.5mm
- Foundation