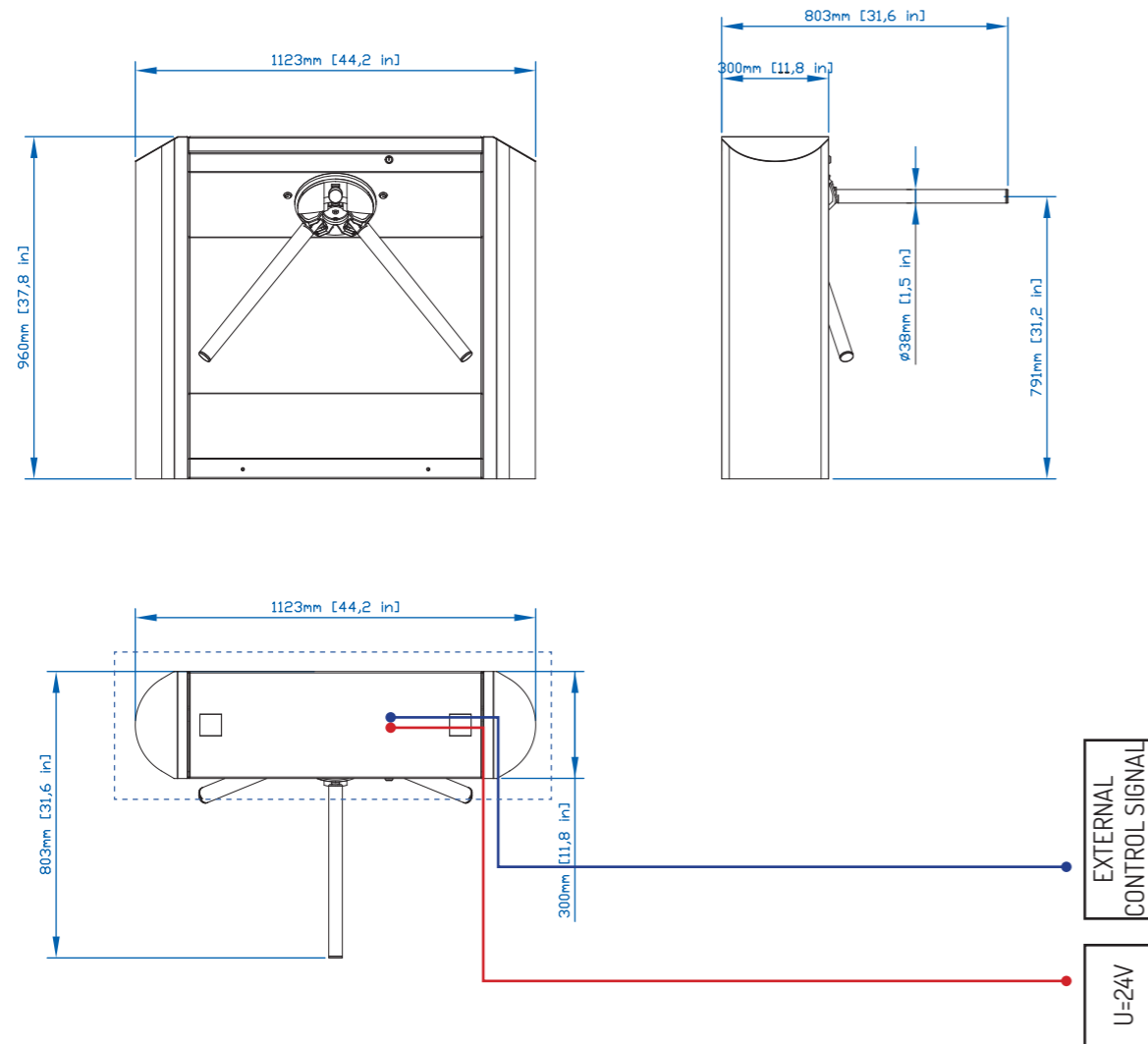


## DIMENSIONS



**KEY:**

- External control signal - S/UTP cable
- 24 V supply - ØMY wire 3x1,5mm
- Foundation