

## P60 Glass Turnstile with T36 ADA Full Height ADA Door



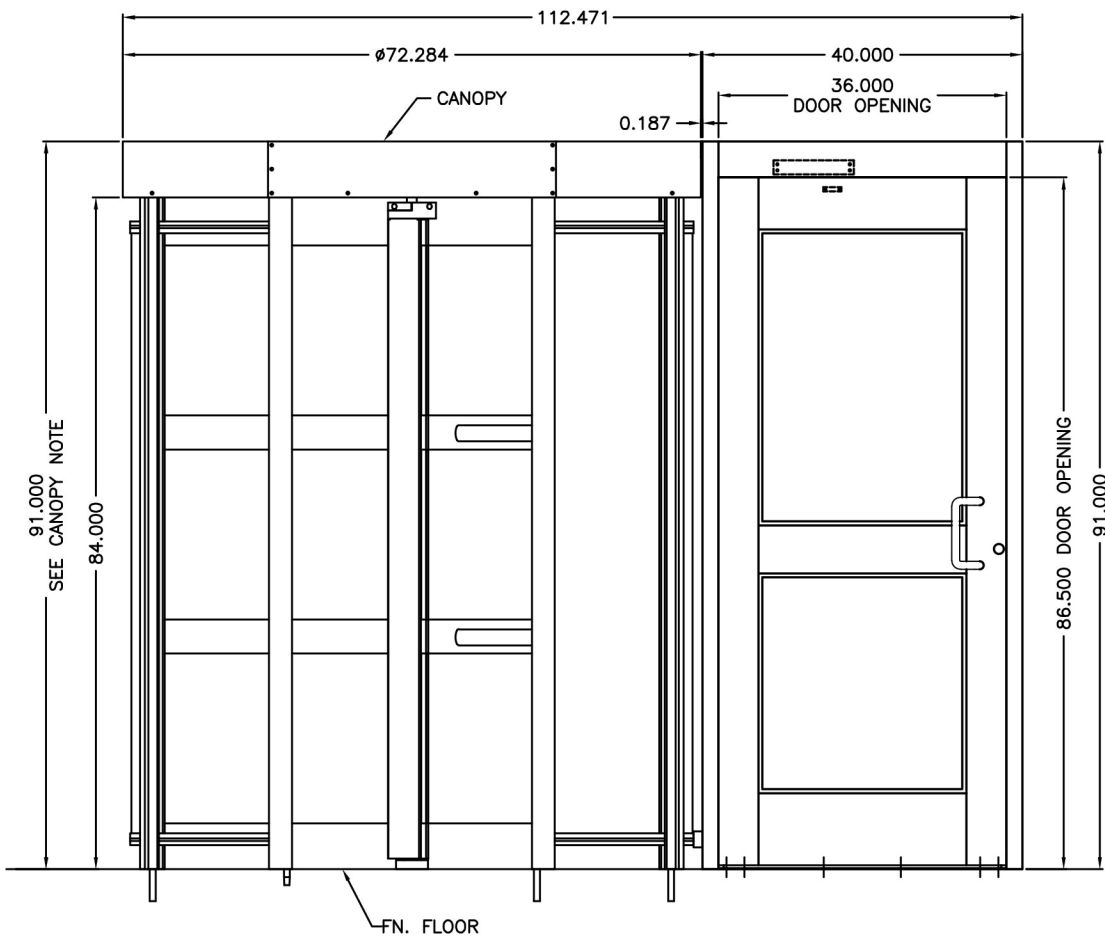
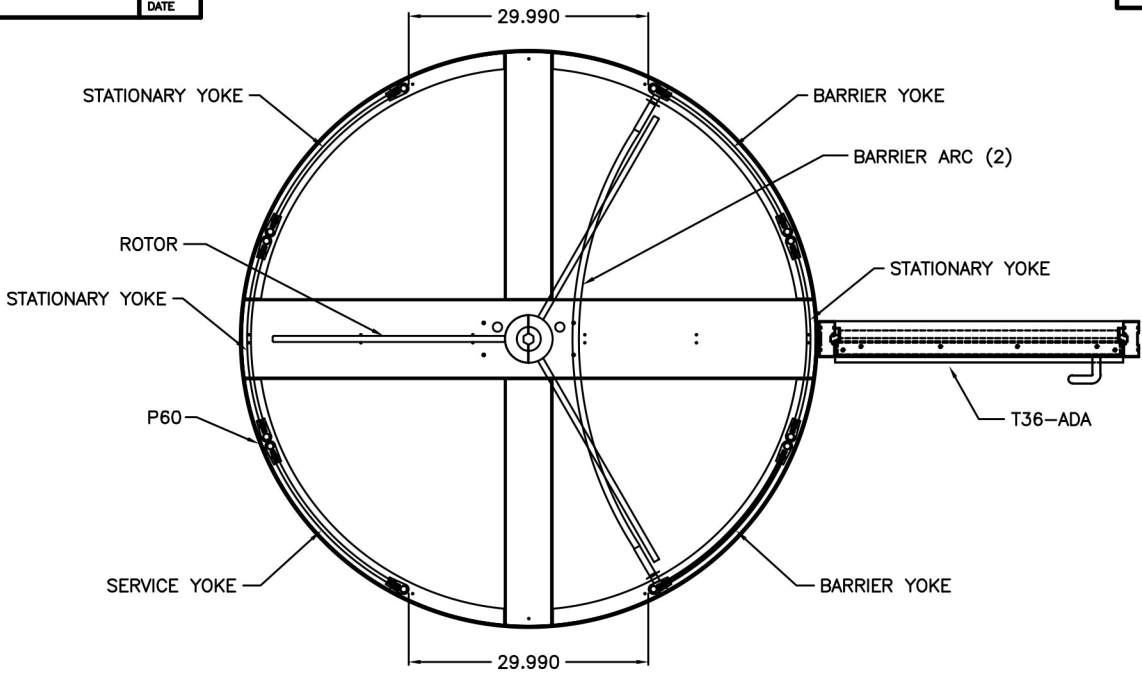
The Tiffany P60 unit is a three-vane turnstile with an anodized aluminum finish and is shipped preconfigured to your security needs. It is constructed with a heavy duty overhead canopy, extruded aluminum columns, MR10 Lexan® polycarbonate cage panels, and 3/4" MP750 Lexgard® arm panels for a more modern and open look.

The Truly "Custom" ADA Gate (Make Your Customers Happy!) Manual and electronic locking access gates and custom filler barriers can be fabricated to match any of our full-height turnstiles. Configure the gate any way you want it, with Etched Glass or 3M Film on Glass. Standard width for passage gates is 36" and customized widths are available – just give us a call. Configure it to meet the job requirements—options available:

- Push-bar
- Electronic Opener
- Magnetic Lock
- Push button (wired or wireless)
- Key Lock w/electric strike

REVISION HISTORY		
SYMBOL	DESC.	DATE

P.N. P60/T36-ADA



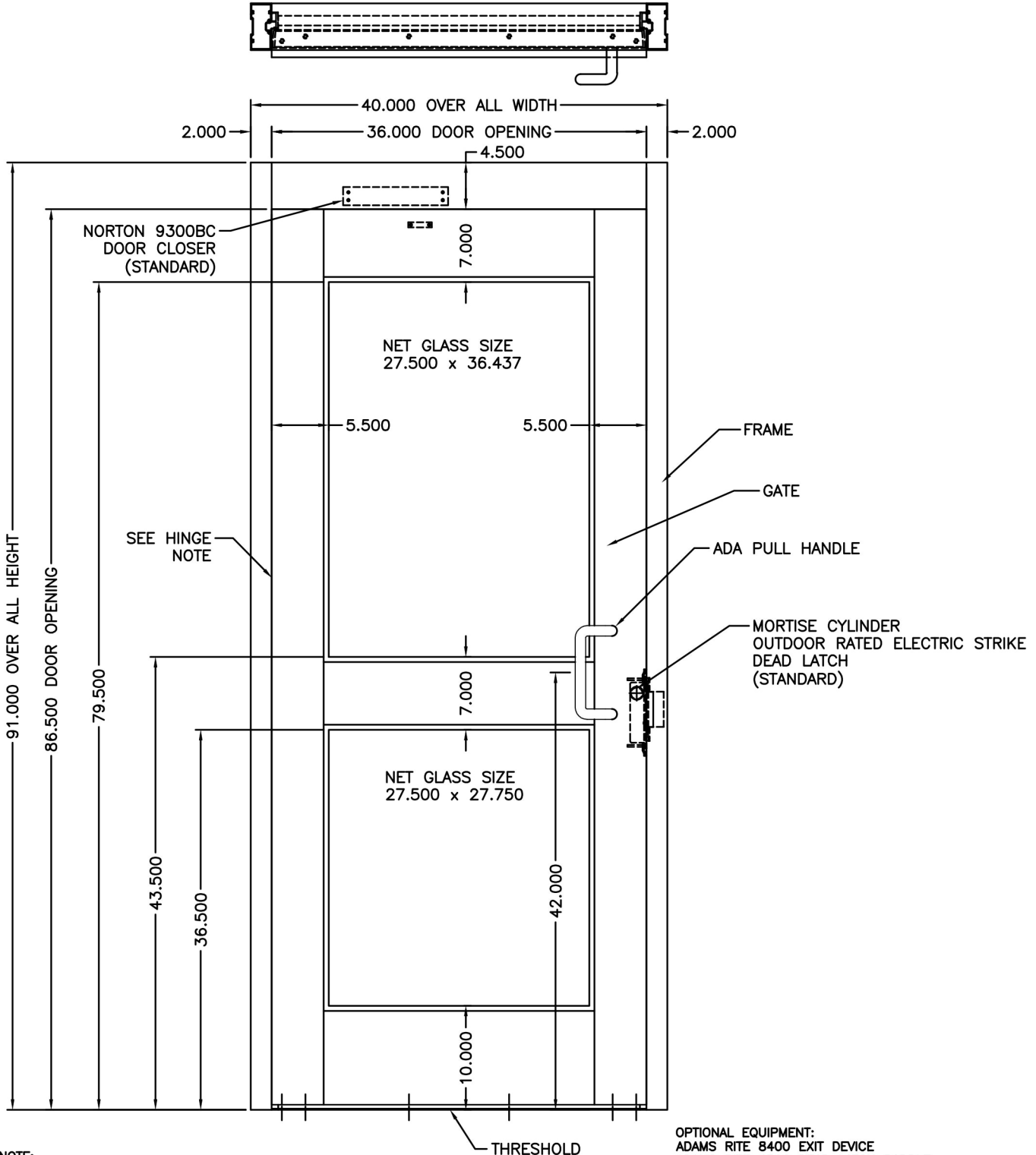
CANOPY NOTE:  
OVERALL HEIGHT CAN VARY DUE TO CANOPY PANEL HEIGHT

NOTE:  
BRACKETS AVAILABLE FOR ATTACHING T36-ADA TO P60 OR WALL

MATERIAL: SEE UNIT ASSEMBY DRAWINGS	SCALE: .5=12	APPROVED BY:	DRAWN BY: LC III
FINISH: ANODIZED	DATE: 9/21/15		REVISED:
TOL. UNLESS OTHERWISE SPEC. .X ± .1      .XXX ± .015 .XX ± .03    ANGLES .5°	<a href="http://www.TURNSTILES.us">www.TURNSTILES.us</a> <a href="mailto:patrick.mcallister@turnstiles.us">patrick.mcallister@turnstiles.us</a> <b>303-670-1099</b>		P60/T36-ADA TYPICAL LAYOUT

REVISION HISTORY		
SYMBOL	DESC.	DATE

ALUMINUM SWING GATE P.N. T36-ADA



HINGE NOTE:  
 HINGE TYPE: CONTINUOUS SPECIFY RH OR LH  
 FASTENERS: STAINLESS STEEL PHILLIPS FLATHEAD SCREWS

OPTIONAL EQUIPMENT:  
 ADAMS RITE 8400 EXIT DEVICE  
 ADAMS RITE 4590 DEAD LATCH PADDLE  
 NORTON 5700 POWER OPERATOR  
 BRACKETS AVAILABLE FOR ATTACHING TO TURNSTILE OR WALL

MATERIAL: ALUMINUM EXTRUSION	SCALE: 1=14 DATE: 9/18/15	APPROVED BY:	DRAWN BY: LC III
FINISH: ANODIZED	REVISD:		
TOL. UNLESS OTHERWISE SPEC. .X ± .1      .XXX ± .015 .XX ± .03    ANGLES .5°	<a href="http://www.TURNSTILES.us">www.TURNSTILES.us</a> <a href="mailto:patrick.mcallister@turnstiles.us">patrick.mcallister@turnstiles.us</a> <b>303-670-1099</b>		
TIFFANY T36-ADA ALUMINUM SWING GATE			