

MODEL 305 TOKEN STATION

INSTALLATION & PARTS MANUAL



**8641 S. Warhawk Rd. Conifer, CO 80433
(303) 670-1099 x11 (303) 679-8949 fax
Patrick.McAllister@TURNSTILES.us**

GENERAL INFORMATION

WARRANTY:

All equipment distributed by www.TURNSTILES.us (TURNSTILES) is warranted against defects in material and workmanship for five years from date of shipment. All equipment is tested and inspected before shipment. The warranty covers repair or replacement of any part which fails under normal usage. Transportation and labor charges are to be paid by the customer.

HOUSING:

The token station is constructed of fourteen gauge steel. It is of welded construction with a hinged access door. The door is fitted with a mounted key lock. Two keys are provided. The housing is finished with two coats of industrial baked enamel.

TOKEN MECHANISM:

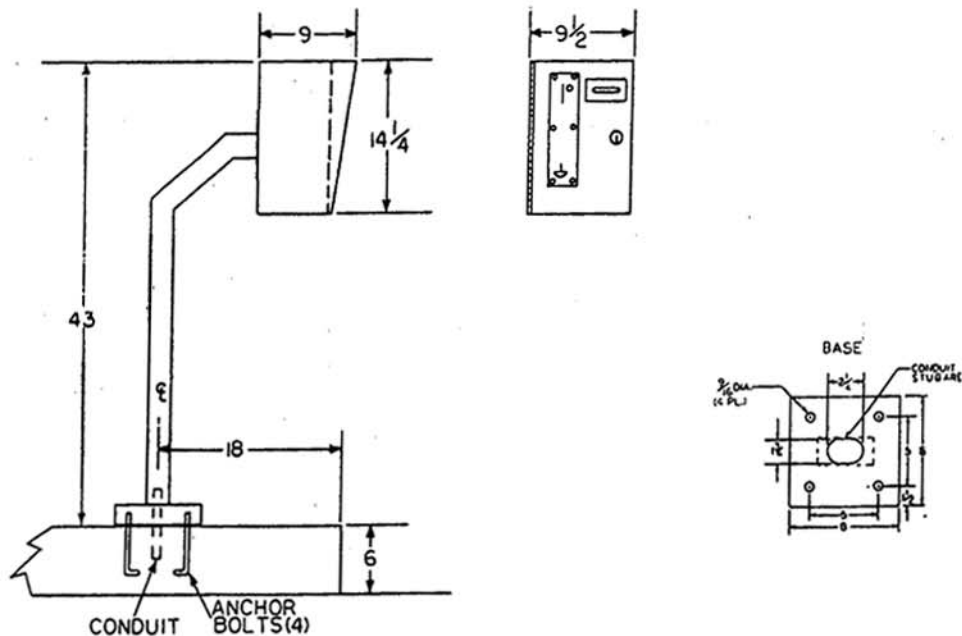
The token station comes standard with a 7/8" (.900) or 1" (.984) token acceptor. Other sizes are available.

ELECTRICAL:

The token station does not require electricity to operate. The token reject button is supplied with a back light that requires a 14 volt power source to illuminate.

INSTALLATION INSTRUCTIONS

The unit should be installed on a concrete foundation not more than 6" above the driveway. (See installation drawing) Mount pedestal to concrete foundation with four anchor bolts. MAKE SURE TOKEN STATION IS LEVEL.



CONNECTIONS

Connect common and normally open terminals from token vend switch to terminals 7 and 10 in model 301 barrier gate. For other brands of gates, connect common and normally open terminals from token vend switch to gate open input in gate operator.



8641 S. Warhawk Rd. Conifer, CO 80433
(303) 670-1099 x11 (303) 679-8949 fax
Patrick.McAllister@TURNSTILES.us

ADJUSTMENT

All Ultimechs are adjusted at the factory for maximum performance and no adjustment should be necessary. If the mech has been disassembled or if more critical adjustments are desired, the following adjustment procedure is recommended (make sure that the mech is upright and level):

GATE

To adjust for slightly thicker coins or improve acceptance, turn the gate adjustment screw clockwise. To adjust for thinner coins or improve security, turn the screw counterclockwise.

MAGNET

Turn the magnet holder adjust screw counterclockwise until a coin dropped into the mech will not pass. Turn the screw clockwise until the coin just passes through. Turn the screw a further 1/2 turn clockwise for proper operation.

SEPARATOR

Loosen the screw holding the separator. Align the right edge of the separator with the innermost mark on the back of the main bezel. This is the standard adjustment and should be acceptable for most locations. As coins are dropped through, observe where the coin hits the separator. By moving the separator back and forth slightly, the desired acceptance of good versus bad coins can be obtained. Tighten the screw and retest to be sure of proper operation.

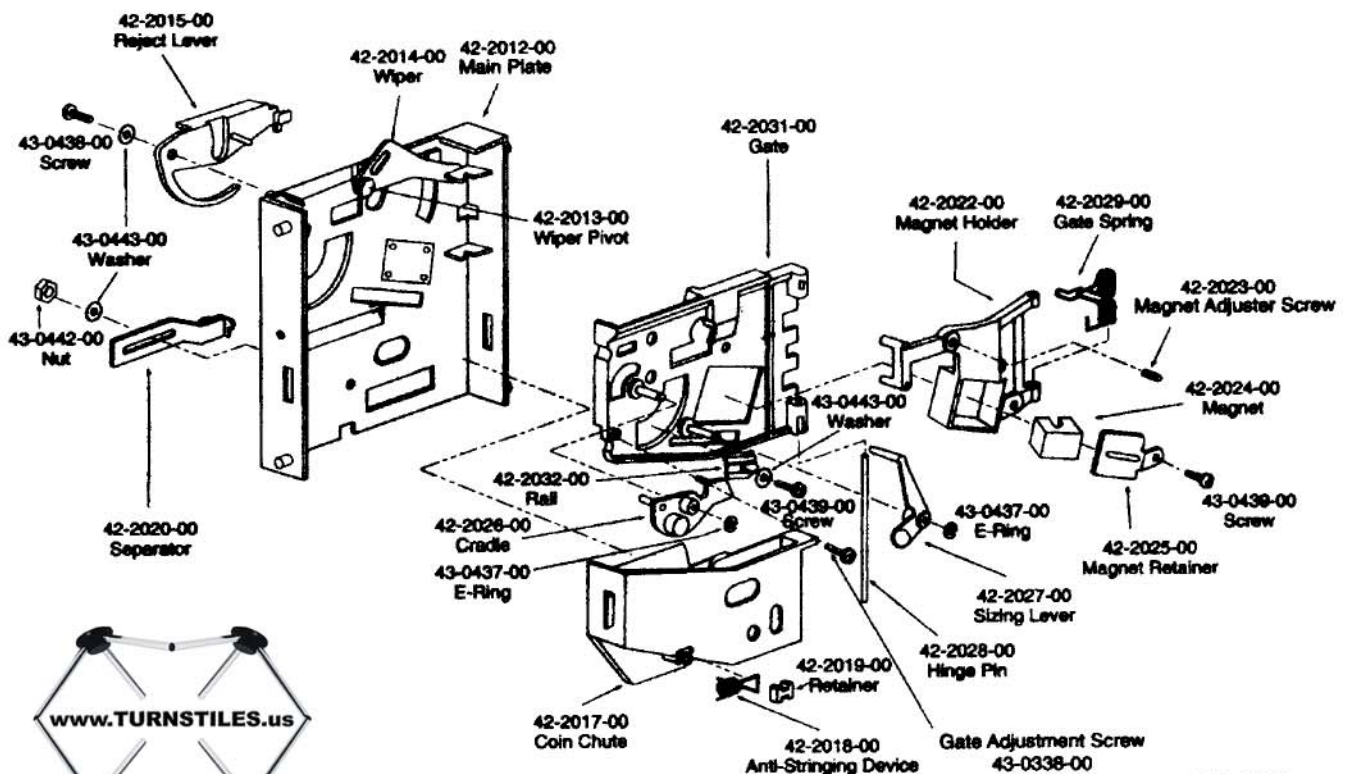
The entry restrictor, cradle and sizing lever are specially tooled are not adjustable.

MAINTENANCE

The mech can be cleaned with any mild cleaner or even in a dishwasher. Rinse and dry completely. Make sure that the cradle and sizing lever move freely.

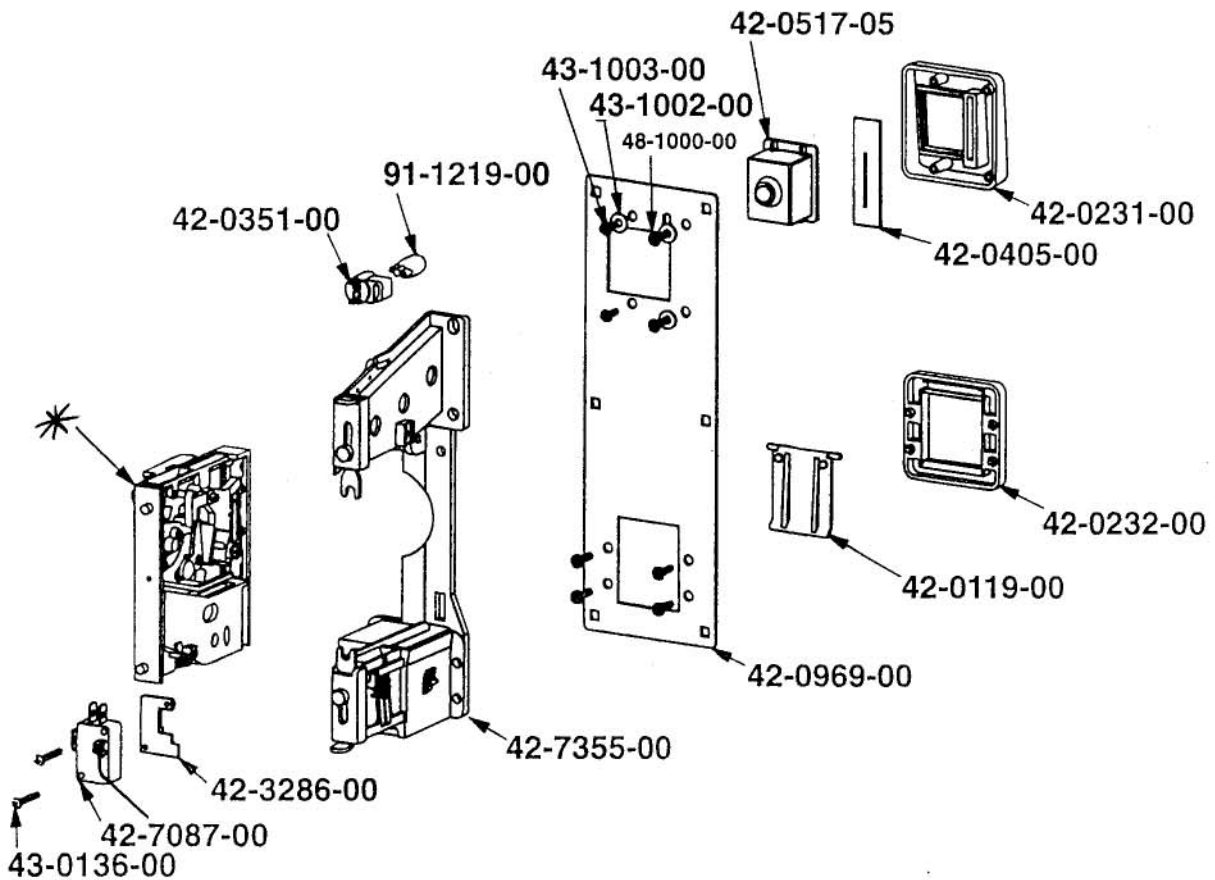
Do not use grease or oil on any part of the mech as this will attract dust and dirt which will slow down the coin and cause poor acceptance.

The magnet can be cleared of metal filings by guiding the edge of a screwdriver along the inside edges of the magnet holder. The filings will stick to the screwdriver.



**PARTS LIST
MODEL 305 TOKEN STATION**

<u>QUANTITY</u>	<u>PART NUMBER</u>	<u>DESCRIPTION</u>
1	205-3 *	.900 TOKEN ACCEPTOR
1	205-4 *	.984 TOKEN ACCEPTOR
1	205-9	.900 ACCEPTOR W/ FRONT PLATE
1	205-10	.984 ACCEPTOR W/ FRONT PLATE
1	492-41 (42-7087-00)	VEND SWITCH AND WIRE ASSY.
1	306-6	36" PEDESTAL (MOUNTING POST)
1	806-1	CAM LOCK
1	1051-40	DECAL, "TOKENS ONLY"
1	9050-1	STEEL HOUSING
1	9050-2	DOOR
1	9050-3	TOKEN BOX



8641 S. Warhawk Rd. Conifer, CO 80433
 (303) 670-1099 x11 (303) 679-8949 fax
 Patrick.McAllister@TURNSTILES.us

