

TURNSTILES.us™

SECURING THE U.S. and the GLOBE

www.TURNSTILES.us / www.entrapass.com / 8641 S. Warhawk Road, Conifer, CO 80421 / 303-670-1099

catraxGO

The new CatraxGo line combines technology and innovation, following the design of the dGate and dFlow lines. Highlighted by the use of a motorized mechanisms, the turnstiles have a non-impact turning, providing a smooth, comfortable and silent passage. CatraxGo features standard anti-panic device and automatic arm reset (Uno and Duo). The equipment meets all the security requirements of the global access control market.



catraxGO uno

Version with three arms, smooth passage and total safety through anti-panic device and automatic reset. It is mounted with the dPower motor mechanism and has orientation pictograms in high brightness RGB LEDs.

catraxGO duo

Version with double dPower motor mechanisms in a single column, saving space, resources and infrastructure, besides diminishing the need of maintenance with the same comfort of the CatraxGo One version.

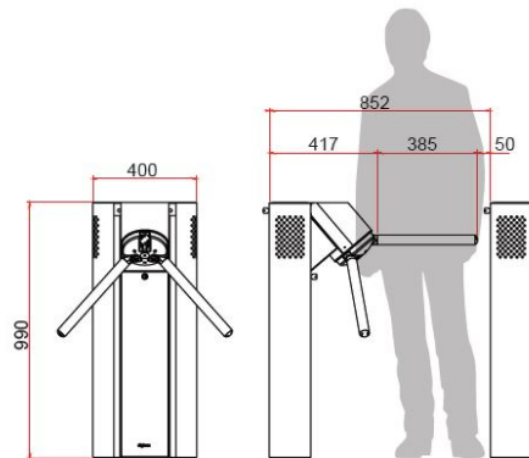


catraxGO clip

Version using smooth automatic arm movement, offering all security to the user. In case of emergency, the pass becomes free to users.

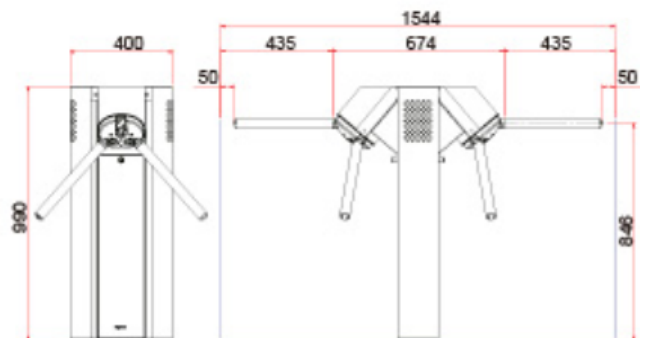
catrax[>]GO uno

Version with three arms, smooth passage and total safety through anti-panic device and automatic reset. It is mounted with the dPower motor mechanism and has orientation pictograms in high brightness RGB LEDs.



catraxGO duo

Version with double dPower motor mechanisms in a single column, saving space, resources and infrastructure, besides diminishing the need of maintenance with the same comfort of the CatraxGo One version.



catraxGO clip

Version using smooth automatic arm movement, offering all security to the user. In case of emergency, the pass becomes free to users.

