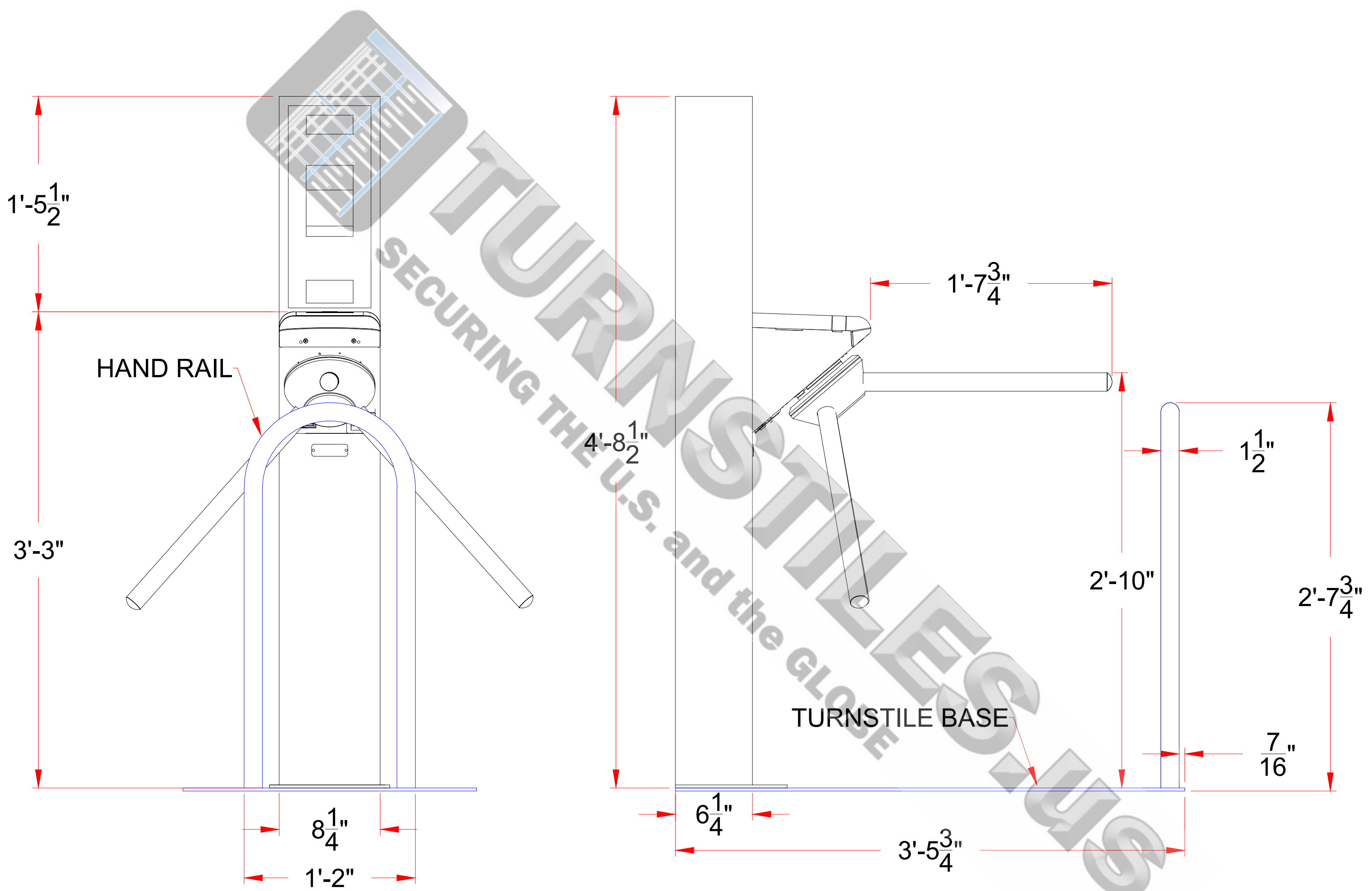


* DIMENSIONS MAY VARY IN ACTUAL INSTALLATION - FABRICATION CHANGES RESERVED - FIELD MEASUREMENT MAY BE REQUIRED *

D
C
B
A



FIRST DRAWN	BY
05/07/2019	CP
REVISED	BY
05/07/2019	.

www.TURNSTILES.us
 8641 South Warhawk Rd. Conifer, CO 80433
 Patrick McAllister Tel: 303-670-1099

Equipment Location Detail	
Catrax Turnstile with Platform Base with a Hand Rail and Wheel	
DWG	050719
DATE	05/07/2019
SCALE =	< >
SHEET - 1 OF 1	

AUTHORIZED SIGNATURE: _____ DATE: ___ / ___ / ___

1 2 3 4