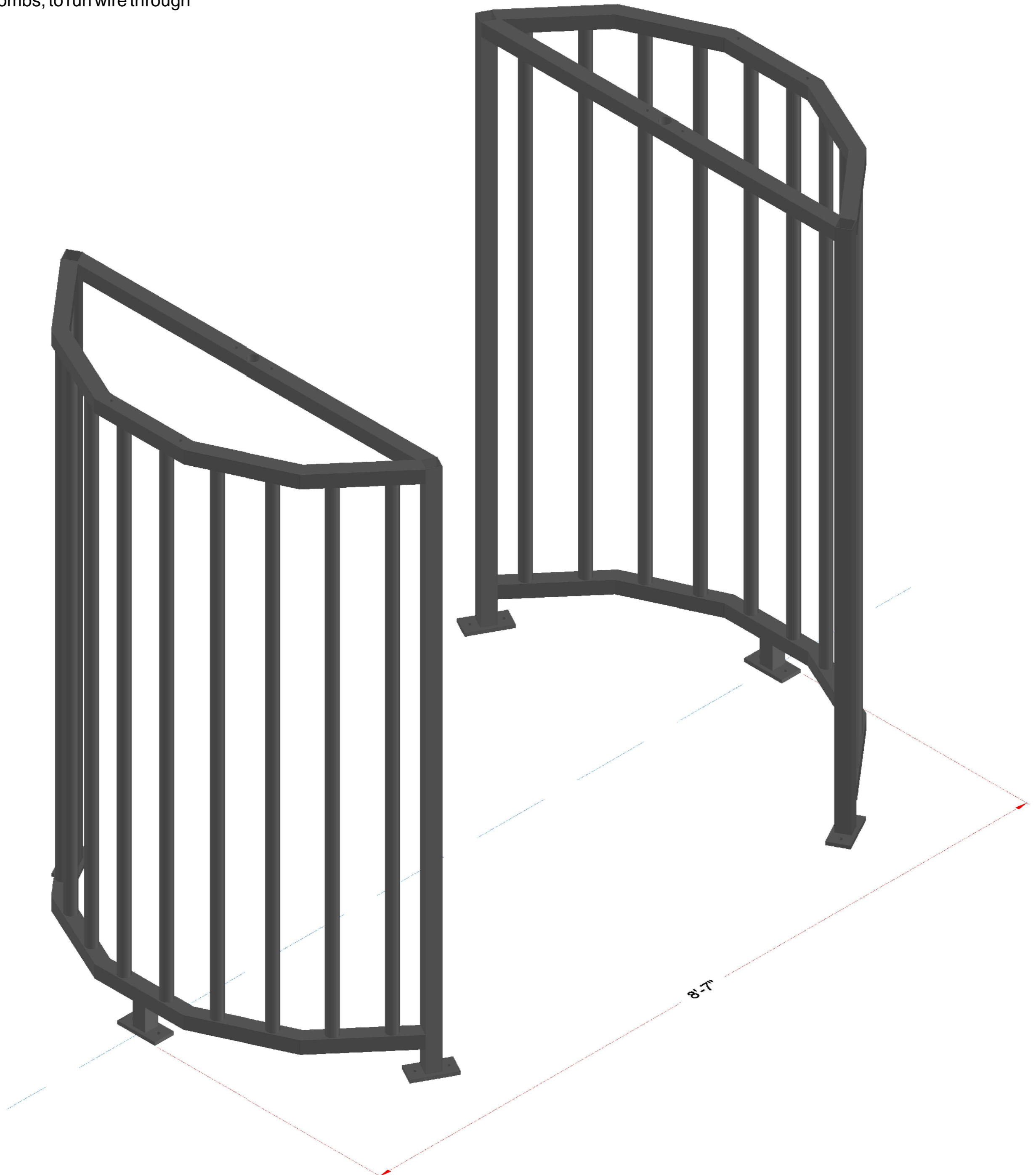


Turnstile Erection Instructions

Positioning cages

1. Snap turnstile centerlines
2. Stand up cages facing each other on the center line perpendicular to the entrance
3. Set cages 8' 7" apart from outside to outside of the middle feet
4. NOTE: If you have conduit stub ups in the concrete for the turnstile, there are holes in the feet on the corners of the cage, and in the combs, to run wire through



Installing Header

1. Place header on top of cages
2. line up the 4 bolt holes on each cage (2 on the curved area, and 2 in the cross member) and loosely bolt with supplied stainless carriage bolts
3. Mark the holes on the cage feet to anchor to concrete
4. Make sure cages are level and plumb and measure from the outside of the feet to verify you have a total width of 8' 7"
5. Move each cage slightly to hammer drill the anchor holes
6. Anchor cage feet using supplied 3/8 anchors
7. NOTE: If an ADA gate was purchased with the turnstile, ensure the mounting bracket on the side of the header is oriented correctly to fasten the ADA gate later.



Install Bearing Plates

1. Measure $1\frac{5}{8}$ " off the center line parallel with the entrance and snap another line perpendicular to the equipment centerline. Do this in both directions marking both locations for the rotor bearing.
2. Center the corners of the bearing plates on the cross lines you just marked
3. Mark the 4 holes and hammer drill $\frac{3}{8}$ " anchor holes
4. Anchor the bearing plates with supplied anchors



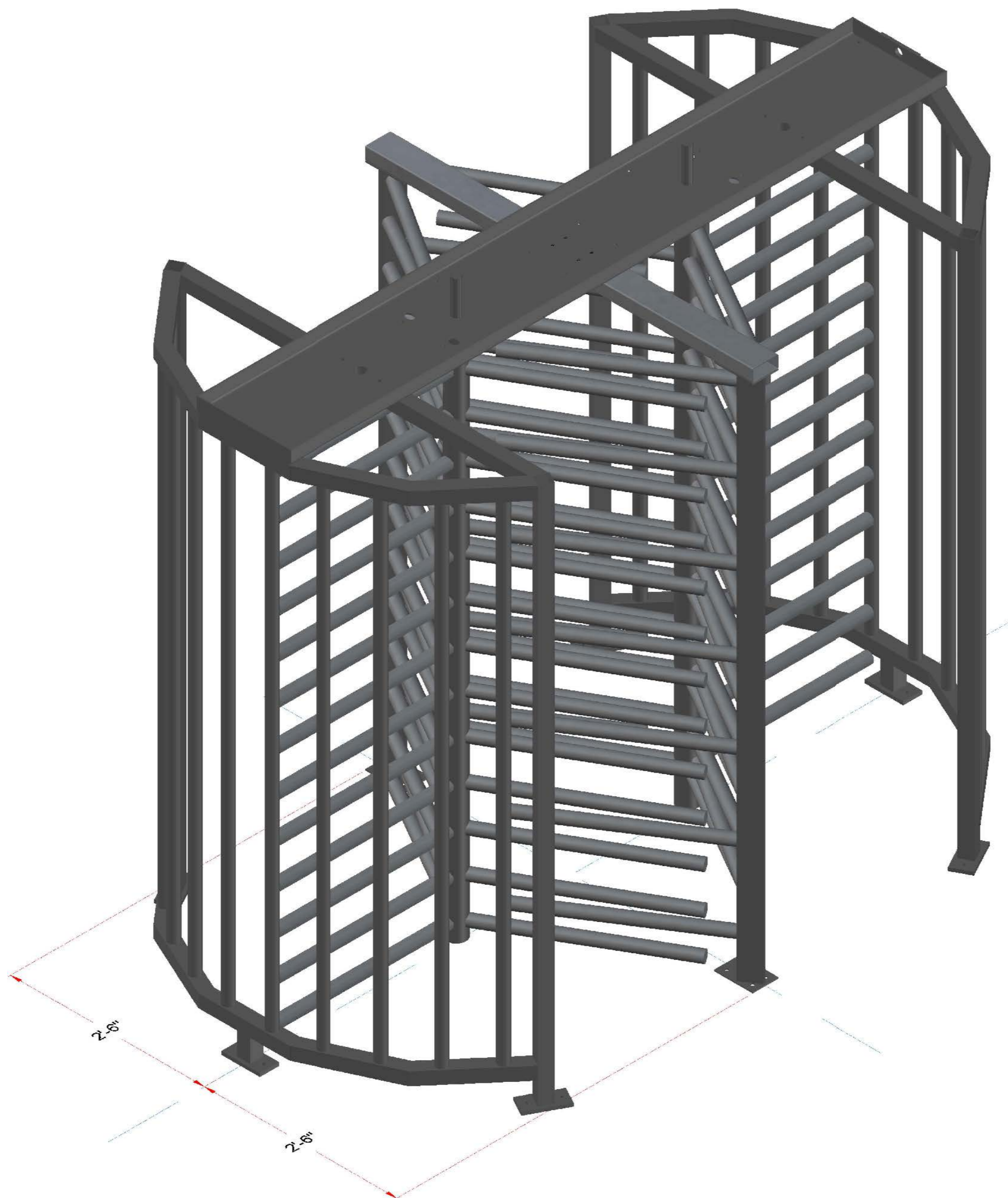
Install the Rotors

1. The rotors come with the bearing carriage already installed, however the bearing race must be installed in the carriage in the bottom of the rotor
2. Place the bearing on the bearing plate and lift rotor onto the bearing
3. Align the rotor as shown below and slide the supplied spline shaft through the locking mechanism into the top of the rotor
4. Repeat steps for the other rotor making sure they are both aligned as shown below



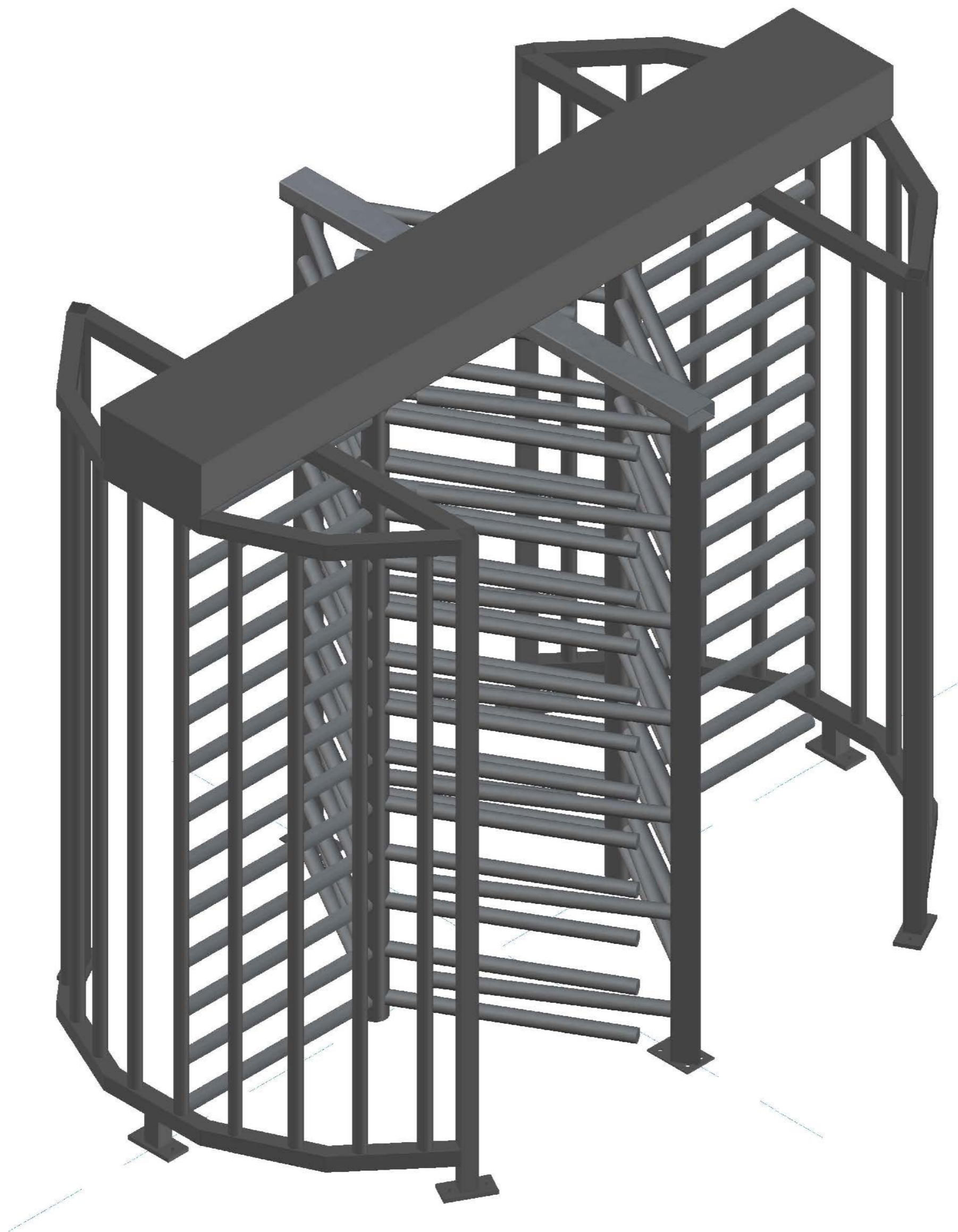
Install the Combs

1. Install the comb cross member to the header using the supplied stainless carriage bolts
2. Paying attention to rotor and comb alignment, loosely bolt the combs to the cross member using the supplied carriage bolts
3. Measure out from the equipment center line 2' 6" to the back of the plate on each comb to get combs ready to anchor
4. Ensure comb is level, plumb, and properly aligned with rotor arms.
5. Mark the holes in the comb anchoring plate and hammer drill anchoring holes
6. Anchor comb with supplied anchors
7. Tighten up all bolts on the entire turnstile
8. NOTE: There are holes in the plates on the combs for conduit stub ups if necessary. So wire can be ran through the combs and cross member into the header.

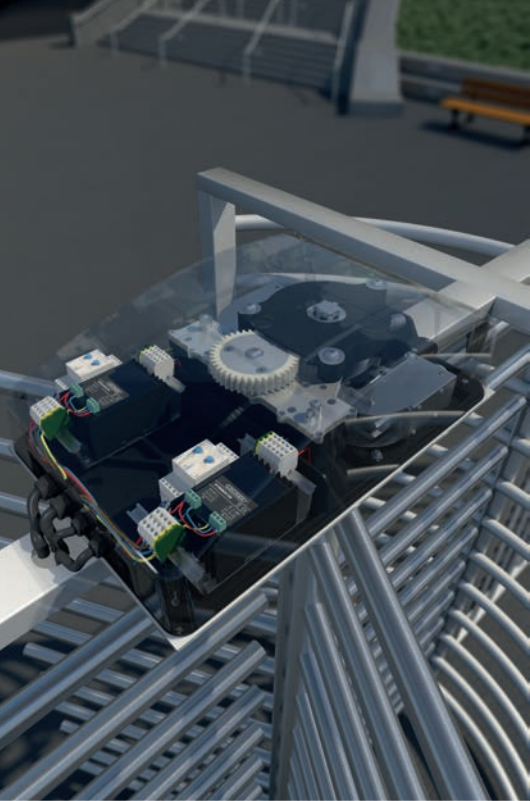


Install the Lid

1. Once all wiring is completed place the lid on the header and fasten with supplied stainless screws and sealing washers
2. Pound provided plastic caps in the cage and the comb cross member
3. NOTE: If a hinged lid was purchased ensure it is oriented properly to access electronics
4. NOTE: If directional lights were purchased, ensure they are plugged in when installing the lid

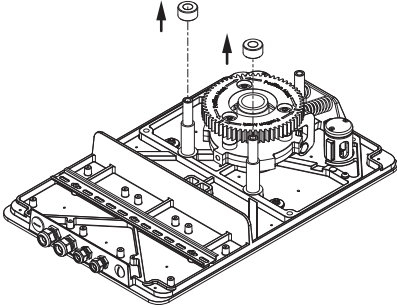


Locking Mechanism



USER GUIDE

- Remove the spacing tubes: The base mechanism is now ready for optional modules

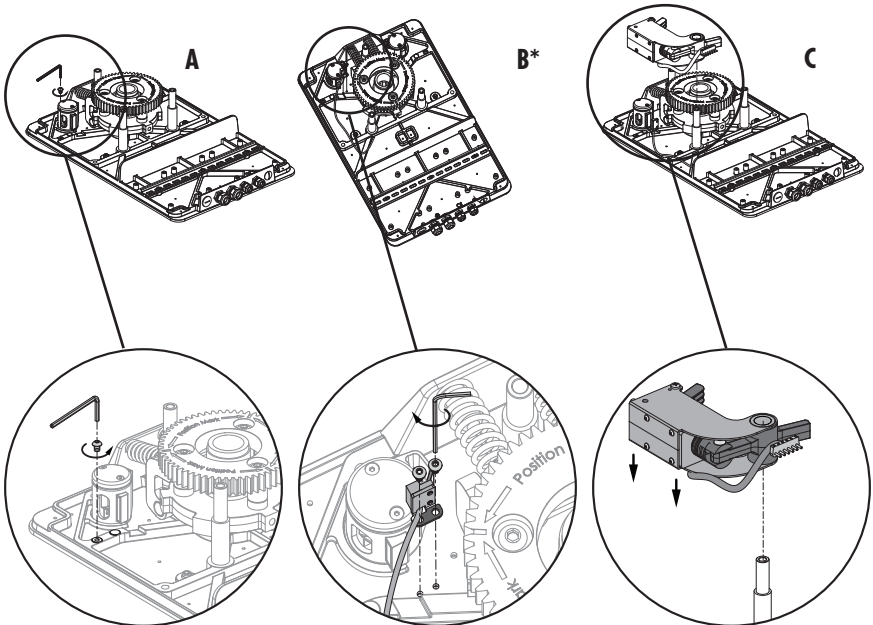


Installing a clockwise module

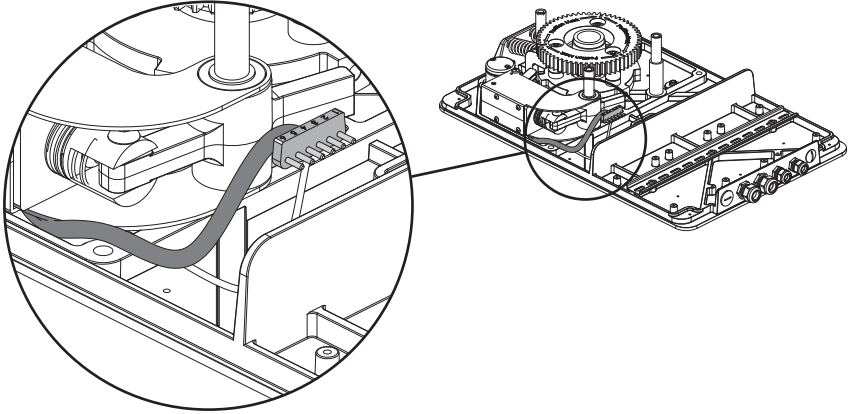
- If no clockwise module is needed, go to step 8 (Installing a counterclockwise module)
- Loosen the fixation bolt and slide the module over the axis

*ATTENTION - STEP B:

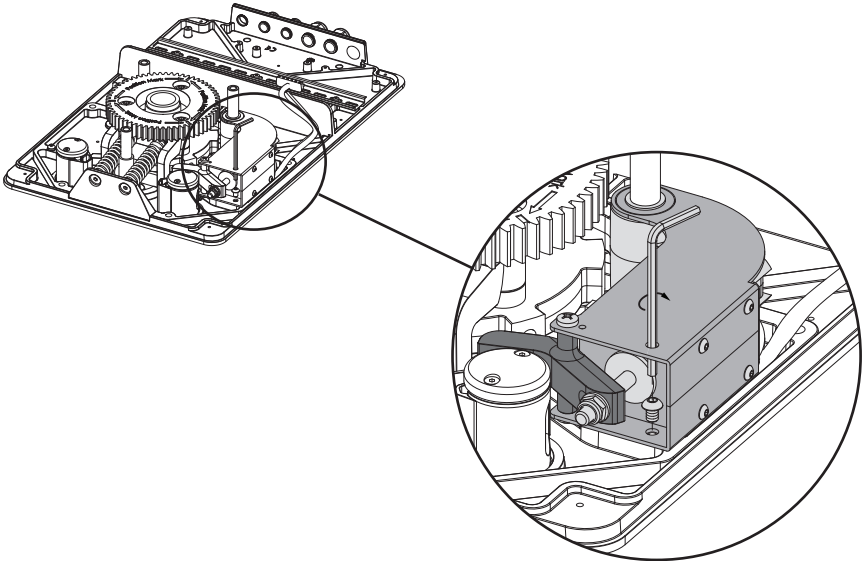
Installing the reed contact: **only applies when a COUNTER LIGHT is needed.** If you do not install a COUNTER LIGHT module then please go to step C.



- Make sure not to squeeze the cable (only with the electromechanical module) !

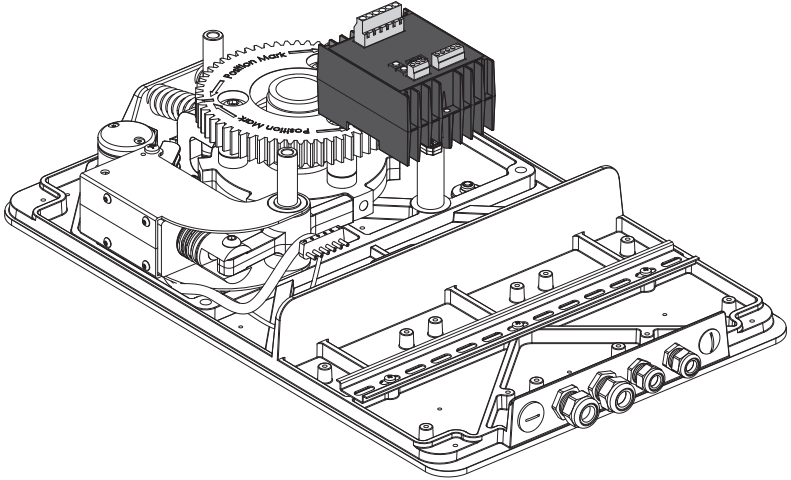


- Secure the clockwise module

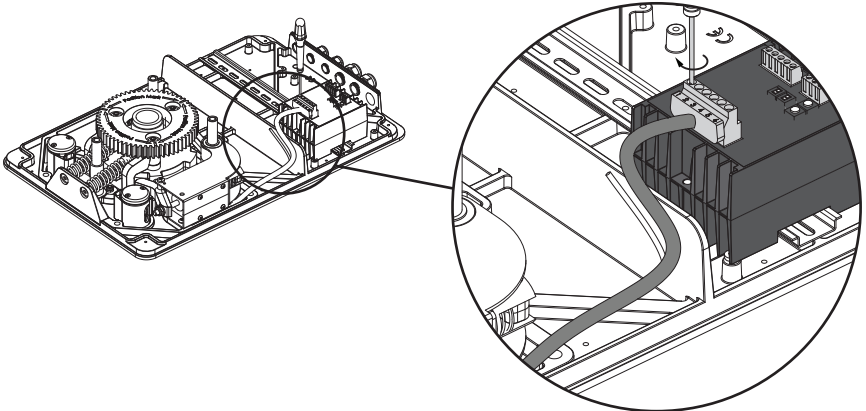


Installing and connecting an electrical control unit

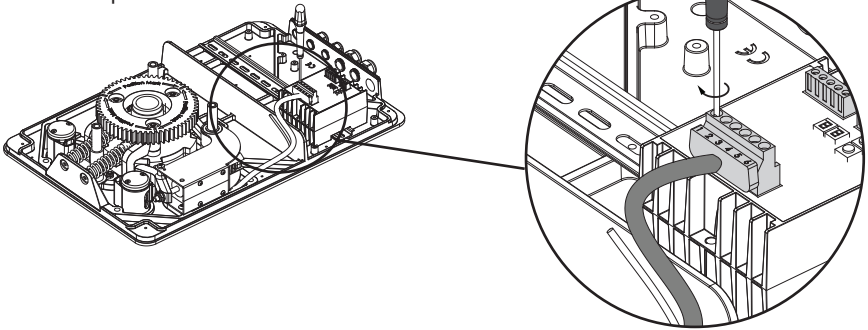
- If no electrical control unit is needed go to step 8: Installing a counterclockwise module.
- Install the control unit on the dinrail.



- Connect the clockwise module with the control unit.

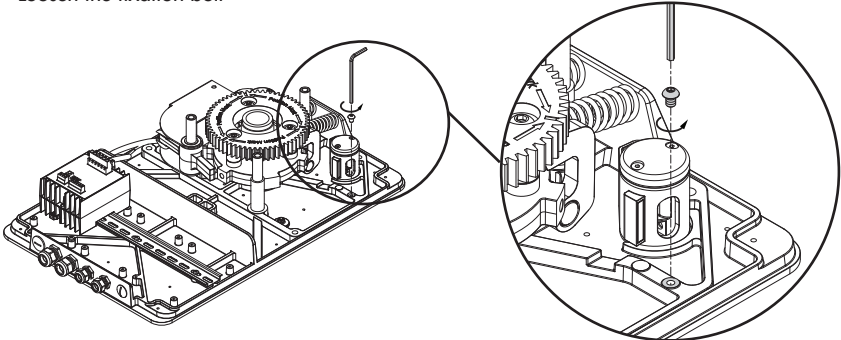


- Plug in the cable and make sure to tighten all six screws. Make sure the numbers on the control unit correspond to the numbers on the connector.

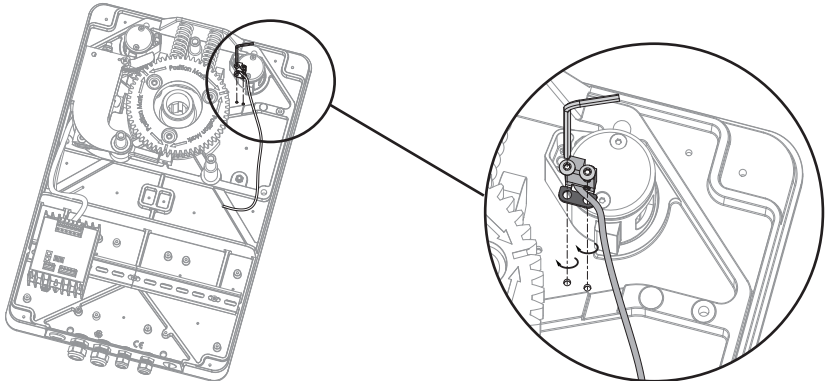


Installing a counterclockwise module

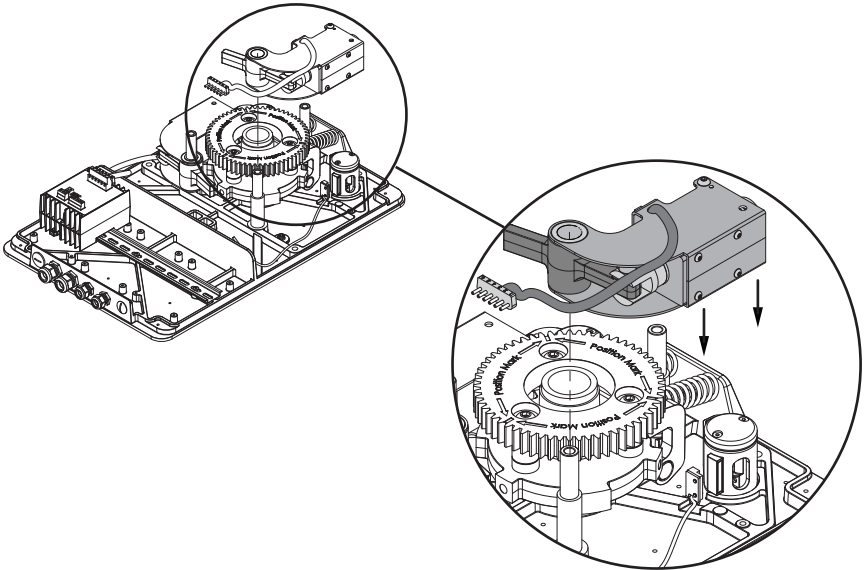
- If no counterclockwise module is needed, go to step 11: Installing the damper.
- Loosen the fixation bolt



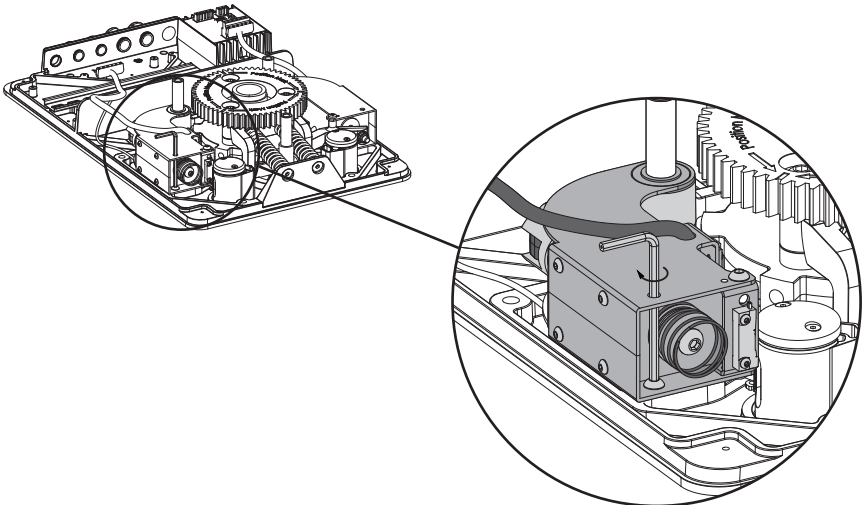
- execute this step only if you need a COUNTER LIGHT module. If not then skip to the next step.



- Slide the counterclockwise module over the axis.

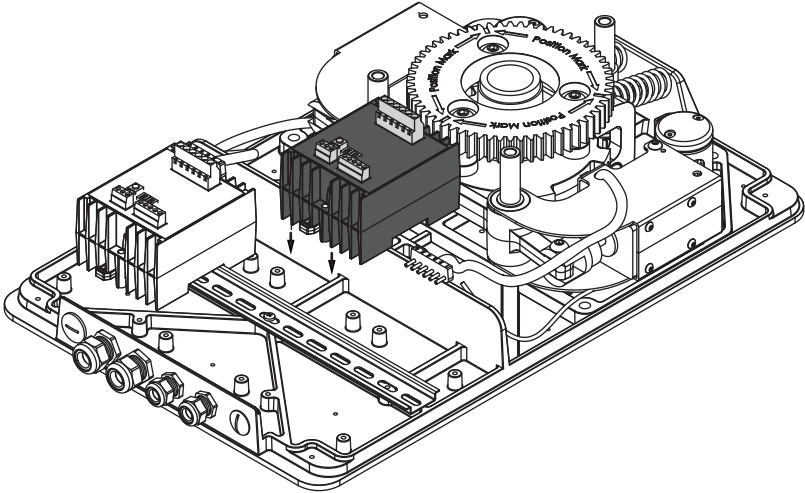


- Tighten the fixation bolt of the counterclockwise module

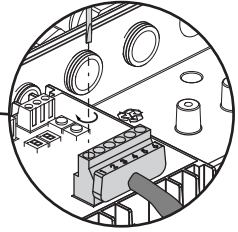
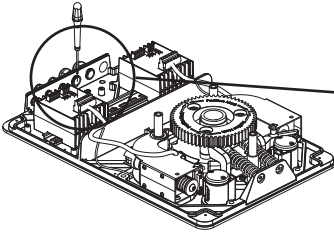


Installing and connecting an electrical control unit

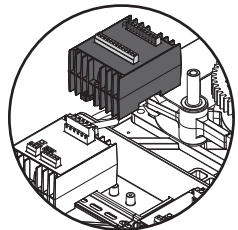
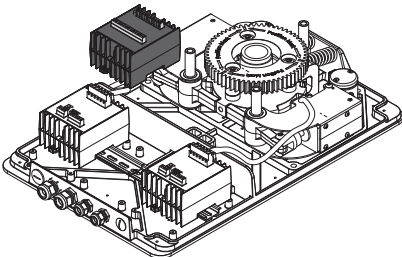
- If no electrical control unit is needed go to step 11: Installing the damper.
- Installation of the unit on DIN rail.



- Connect the clockwise module with the electrical control unit & tighten the screws

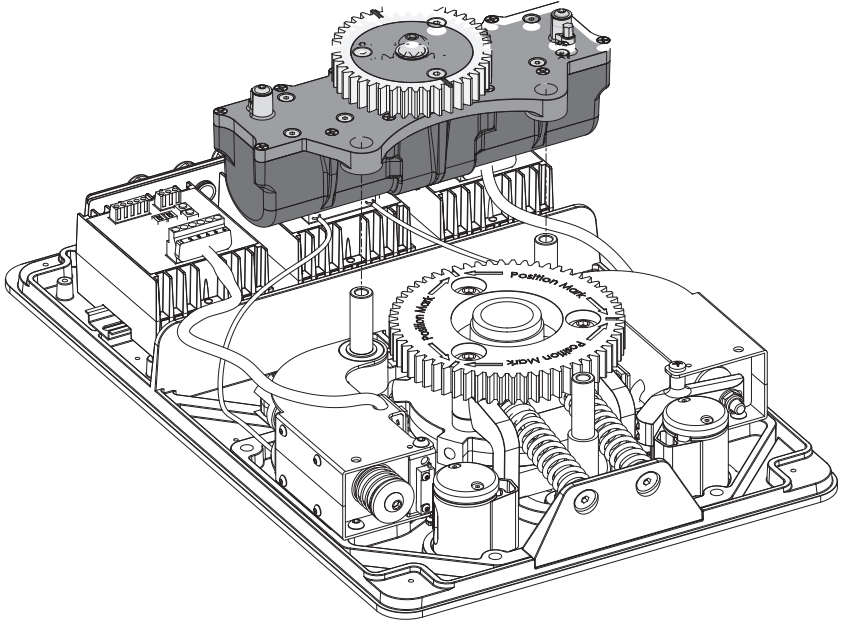


Installing and connecting a COUNTER LIGHT module on dinrail

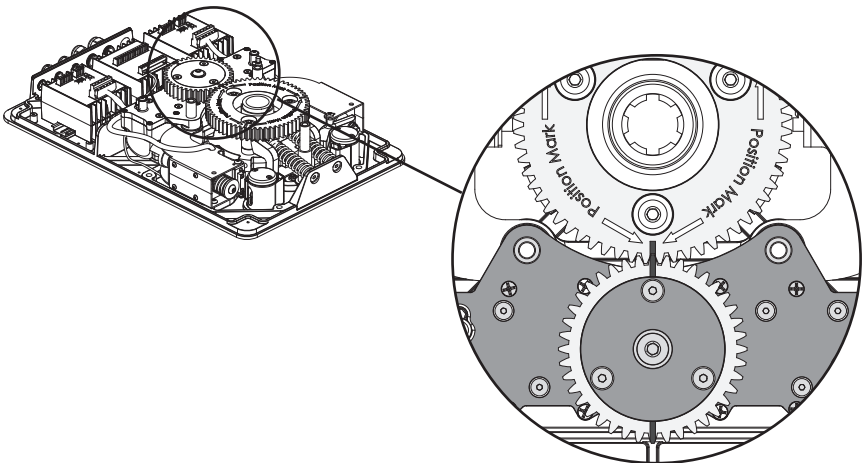


Installing a damping module

- If no damping module is needed, go to step 12 (Closing the base mechanism)
- Slide the damping module over both axes

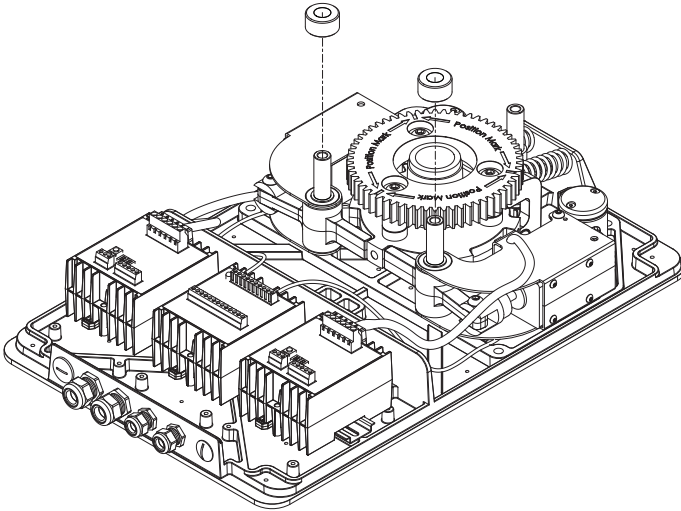


- Pay attention to the position marks on the gear wheels

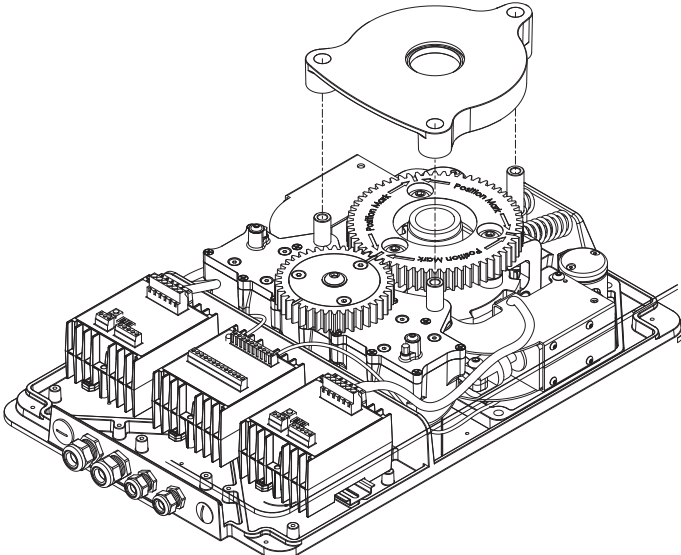


Closing the base mechanism

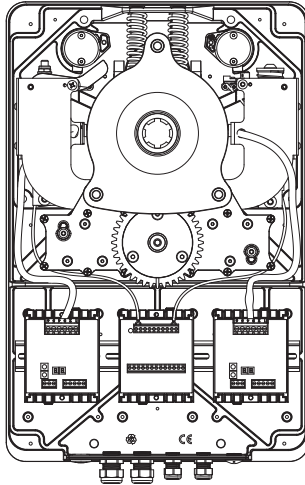
- Make sure to put the spacing tubes back in place **if no damping module** is installed



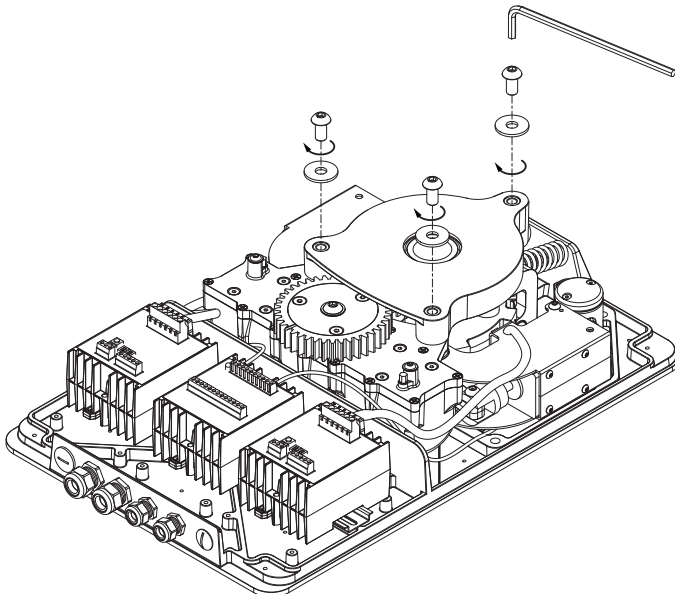
- Damping module situations (No spacing tubes needed)



- Check the concentricity between the bearing and the blocking disk (Due to spring tension, the alignment of these 2 components can differ)

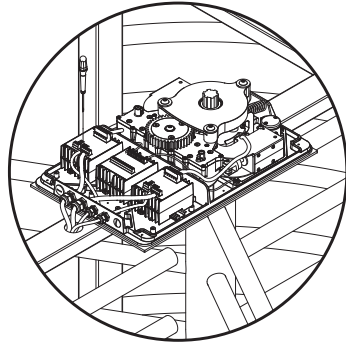
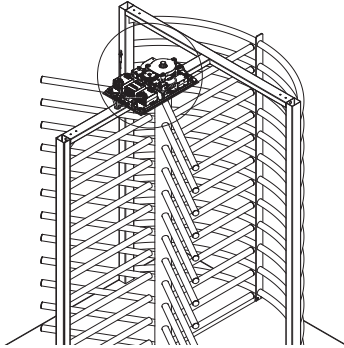


- Be sure the top chassis is mounted correctly before screwing it down.

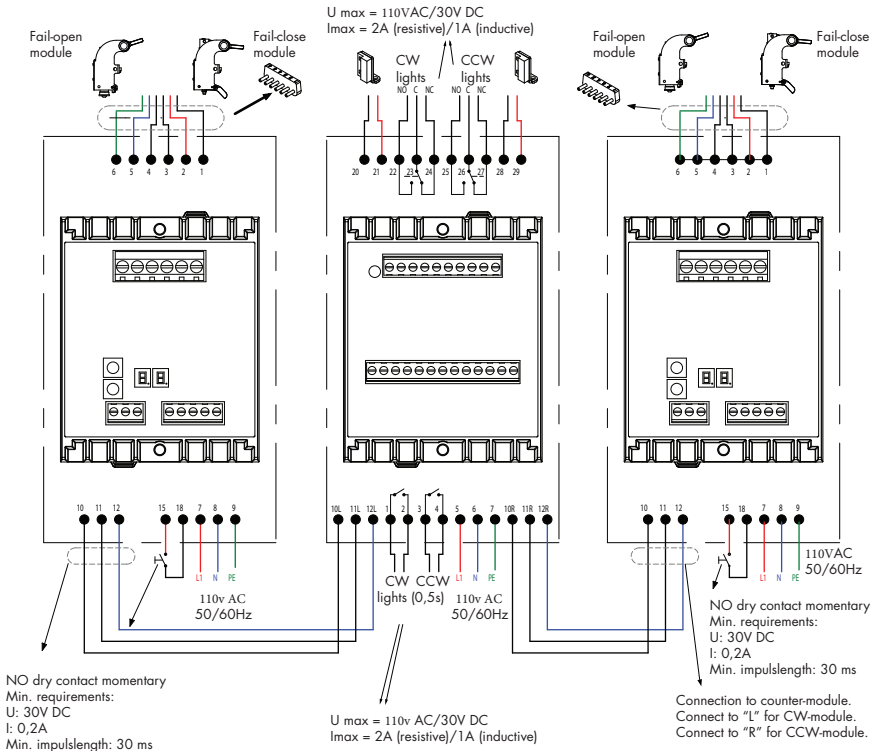


Electrical wiring

- Connect the control unit(s) according to electrical scheme

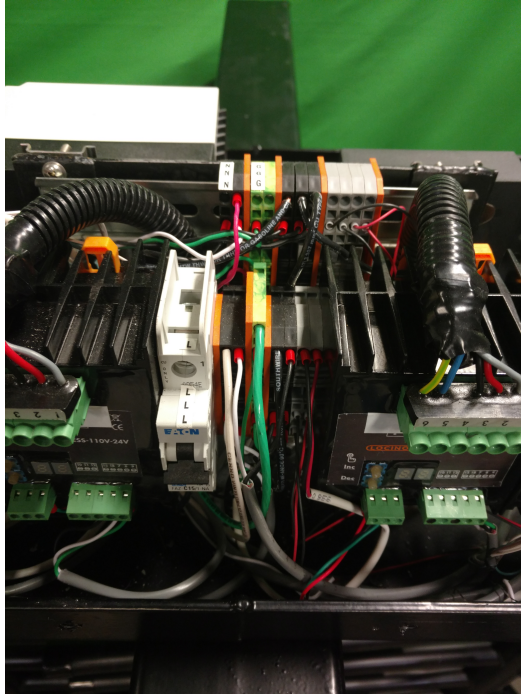


- Electrical control scheme



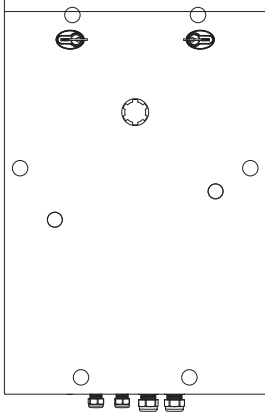
110V Din Rail Connection

- L- Line
- N- Neutral
- G- Ground



Mechanical override of the control modules

- By means of the cylinders its possible to unlock a direction of the turnstile when working with the control modules.
- The cylinders have no function when no optional modules are installed.



Adjusting damping action

- Due to the internal construction of the damper, there are 2 screws that control the damping action.

