



For large numbers of people

At swimming pools, sports stadiums or public toilets – MPP turnstiles are the ideal choice wherever large numbers of people must be reliably individualised and managed. The robust housings and stainless steel barrier arms not only withstand improper use, but are also suitable for outdoor applications (option).

MPP turnstiles offer versatile operation: a large number of people can easily be managed with one of the many applications available while bi-directional operation permits a single turnstile to act as both entrance and exit. And MPP turnstiles are ideally equipped for emergencies: The barrier allows free passage if there

is a power outage or an alarm signal. With the Drop-Arm option, the upper arm drops downwards and thus provides free passage. The arm automatically returns to its original position after the emergency contact reopens or power has been restored. The innovative MHTMTM drive technology operates without maintenance, energy-efficiently and quietly, and its sensitive impact detection ensures maximum personal safety. MPP turnstiles can be controlled using all common access control systems and are available with three housing variants.



Rapid individualisation

Thanks to its turnstile design, the MPP is suitable for the rapid individualisation of large numbers of people in areas with low-to-medium security requirements.



Innovative drive technology

The MHTMTM drive unit operates without maintenance, energy-efficiently and quietly. Sensitive impact detection ensures maximum personal safety.



Free escape routes

The barrier allows free passage if there is a power outage or an alarm signal. With the Drop-Arm option, the upper arm drops downwards and thus provides free passage. The arm automatically returns to its original position after the emergency contact reopens or power has been restored.



Easily accessible components

All the control and drive components necessary for operation are accommodated in the upper housing of the MPP – considerably simplifying commissioning and maintenance.

ACCESS

AFC

IMMIGRATION

BOARDING

MPP Turnstile

- > Robust turnstiles for high throughput frequencies
- > Optional drop-arm mechanism permits passage in case of power cut or alarm
- > High-quality stainless steel housing for indoor or outdoor use
- > Simple integration of all common access control systems
- > Designed for 10 million throughput cycles



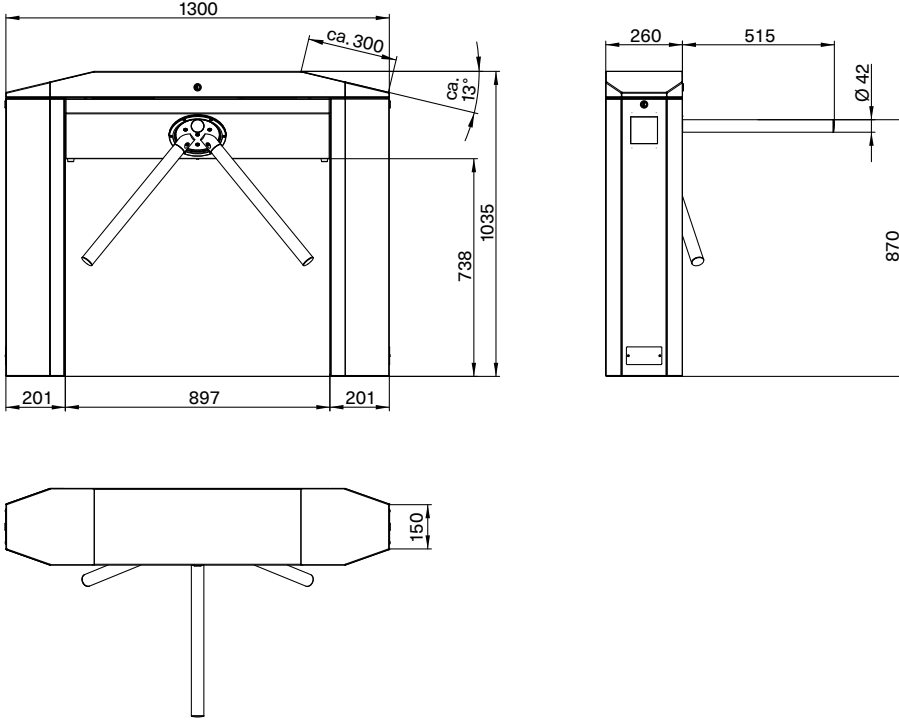
Technical data	MPP 122	MPP 222	MPP 112	MPP 212	MPP 132	MPP 232
Application	Indoor	Outdoor	Indoor	Outdoor	Indoor	Outdoor
Housing variant	Long		Short		Tall	
Passage width	515 mm		515 mm		515 mm	
Drive technology	MHTM™		MHTM™		MHTM™	
Voltage	110 – 240 VAC, 50/60 Hz		110 – 240 VAC, 50/60 Hz		110 – 240 VAC, 50/60 Hz	
Power consumption	Max. 65 W		Max. 65 W		Max. 65 W	
Duty cycle	100 %		100 %		100 %	
Housing dimensions (L x W x H)	1300 x 260 x 1035 mm		400 x 300 x 1035 mm		400 x 300 x 1443 mm	
Enclosure rating	IP32	IP44	IP32	IP44	IP32	IP44
Weight	Approx. 60 kg		Approx. 40 kg		Approx. 45 kg	
Temperature range	-25 to +50 °C		-25 to +50 °C		-25 to +50 °C	

Options	
Barrier elements	Barrier arm with drop-arm technology
Components	Heating, throughput display, coin validator, cash register system
Housings	Adaptations to customer-specific access control systems
Extensions	Railings, railings with glass pane, railings with knee rail

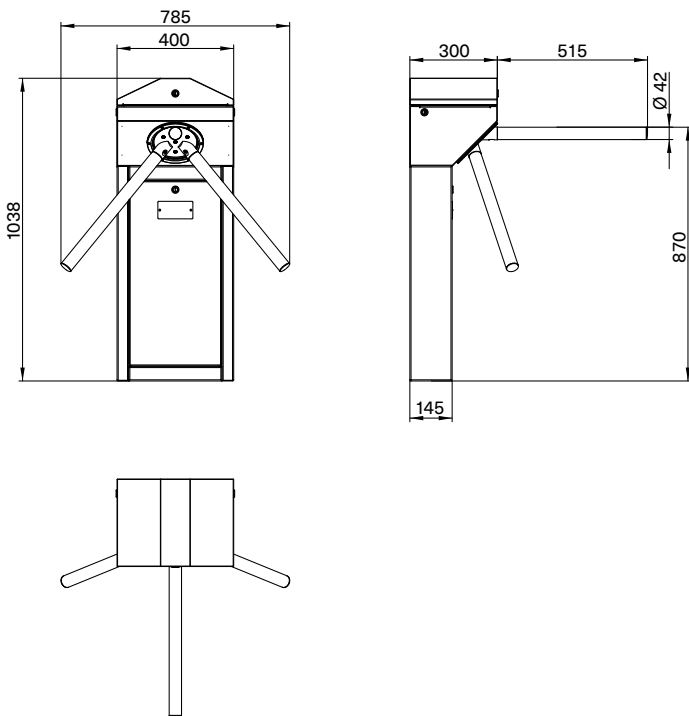
Potential applications	

Dimensional drawings

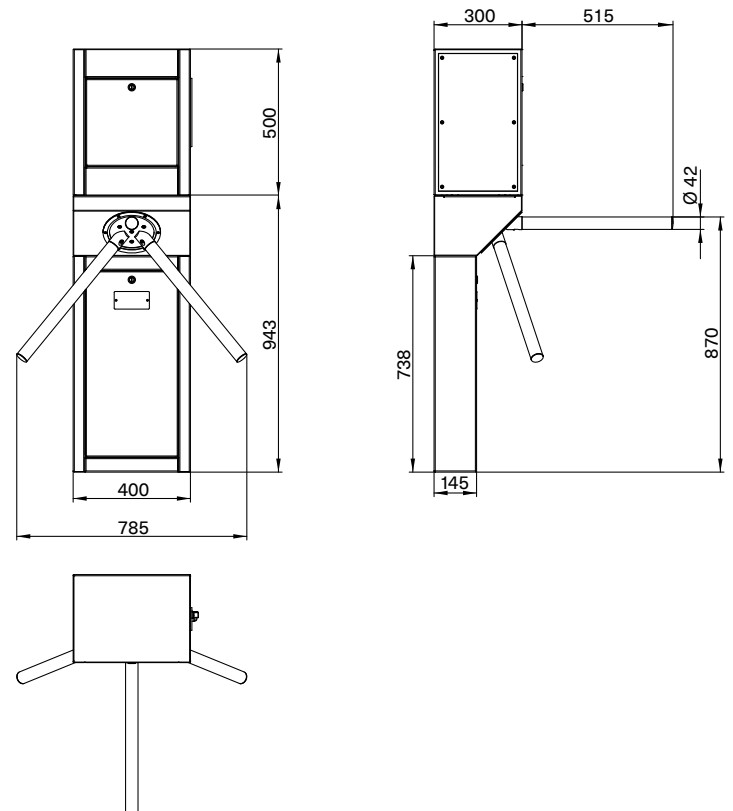
MPP 122/222



MPP 112/212



MPP 132/232



Access to Progress

Magnetic stands for pioneering products – in every way. Our access control systems for vehicles or pedestrians clear the way for thousands of people every day – at car parks, toll gates, stations, airports and in buildings. Our technology is also pioneering, however: with innovative drives, intelligent control systems and well thought-out details it provides maximum safety and longevity. Are you also on the path to Magnetic?



Vehicle barriers

- Access barriers
- Parking barriers
- Toll barriers
- Special barriers



Pedestrian gates

- Turnstiles
- Swing gates
- Tripod gates
- Retractable gates
- Wing gates



Terminals

- Cars
- Trucks