

**Models;**

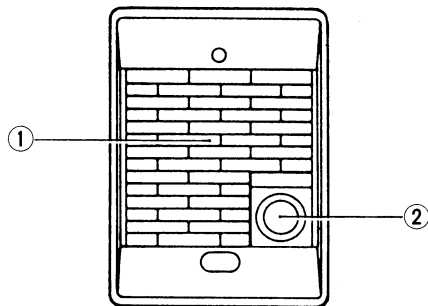
**LE-D  
LE-DA**

(with plastic cover, surface-mount)  
(with stainless steel cover, flush-mount)

## INSTRUCTIONS

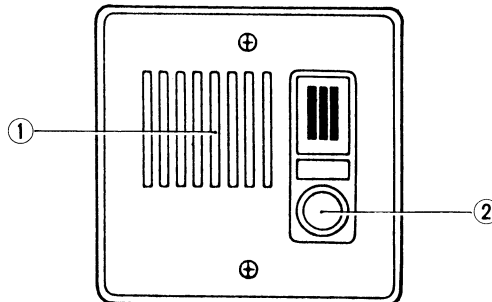
**1**

### NAMES AND FUNCTIONS



**LE-D**

H120 x W88 x D29 (mm)  
4-3/4" x 3-7/16" x 1-1/8"



**LE-DA**

H115 x W116 x D40 (mm)  
4-1/2" x 4-9/16" x 1-9/16"  
\*Recessed : 30mm(1-3/16")

- ① Speaker/mic.
- ② CALL button

**2**

### FEATURES AND SPECIFICATIONS

- \* LE-D, LE-DA are door stations designed to work with Aiphone LEF Intercom System Models: LEF-3, LEF-5/5W, LEF-10/10W, LEF-10S/10SW; LEF-3B, LEF-5B & LEF-10SB.
- \* Handsfree communication at door station, controlled by master station press-to-talk operation.
- \* Wiring: 2 wires (single-master system). Shorting link remains attached.  
3 wires (intermixed system). Remove shorting link.
- \* Wiring distance:

AWG	24AWG	22AWG	20AWG
DISTANCE	400'	650'	1000'
DIAMETER	0.5 mm	0.65 mm	0.8 mm
DISTANCE	120 m	200 m	300 m

**3**

### BEFORE YOU INSTALL AND OPERATE THE EQUIPMENT - Prohibitions and precautions -

- \* DO NOT CONNECT ANY TERMINAL ON ANY UNIT TO AC POWER LINES. When you mount door station in place of existing bell or chime, be sure to disconnect wires from the present transformer.
- \* Do not splash water on the door station by hose, etc.
- \* Clean your door station with a soft cloth dampened with neutral household cleanser.  
Never use lacquer thinner or benzene, etc.

**4**

### OPERATIONS

Momentarily depress CALL button on LE-D or LE-DA. Call tone will signal master station(s) while you depress CALL button.

After master station replies, communication from door station is handsfree.

# 5 INSTALLATION

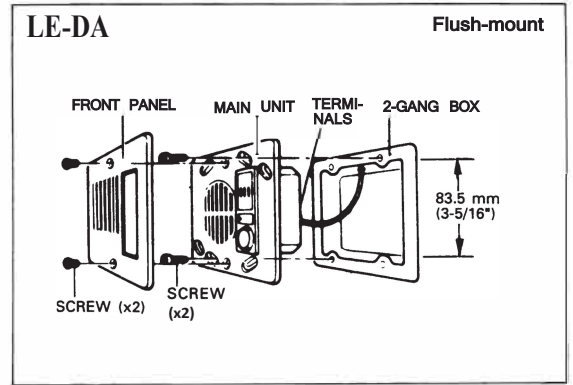
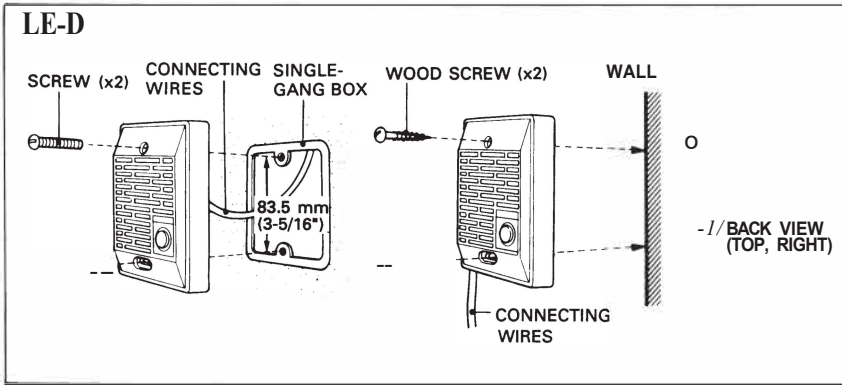


## LE-D

Attach the LE-D unit to SINGLE-GANG BOX with the supplied two screws. When mounting to wall surface directly, pull out the cable either from top or bottom of back case. As shown, remove the outlet part of the case when passing cable through the top.

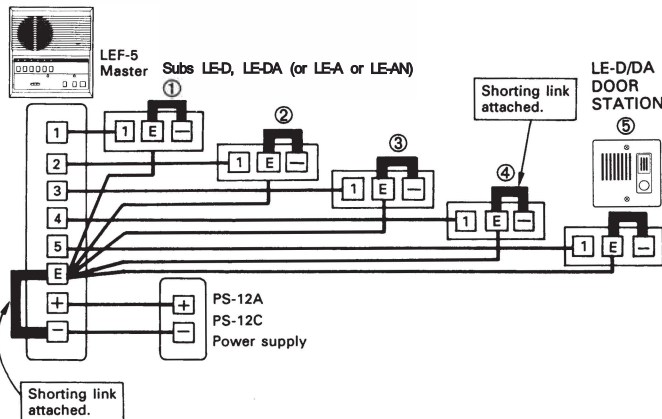
## LE-DA

Remove two screws and separate the main unit from front panel. Connect wires on the terminals and mount the main unit to TWO-GANG BOX with supplied two screws. Reattach the front panel to the main unit.



# (E) WIRING DIAGRAMS

## LEF-5 SINGLE-MASTER SYSTEM;



## LEF-5 INTERMIXED SYSTEM;

